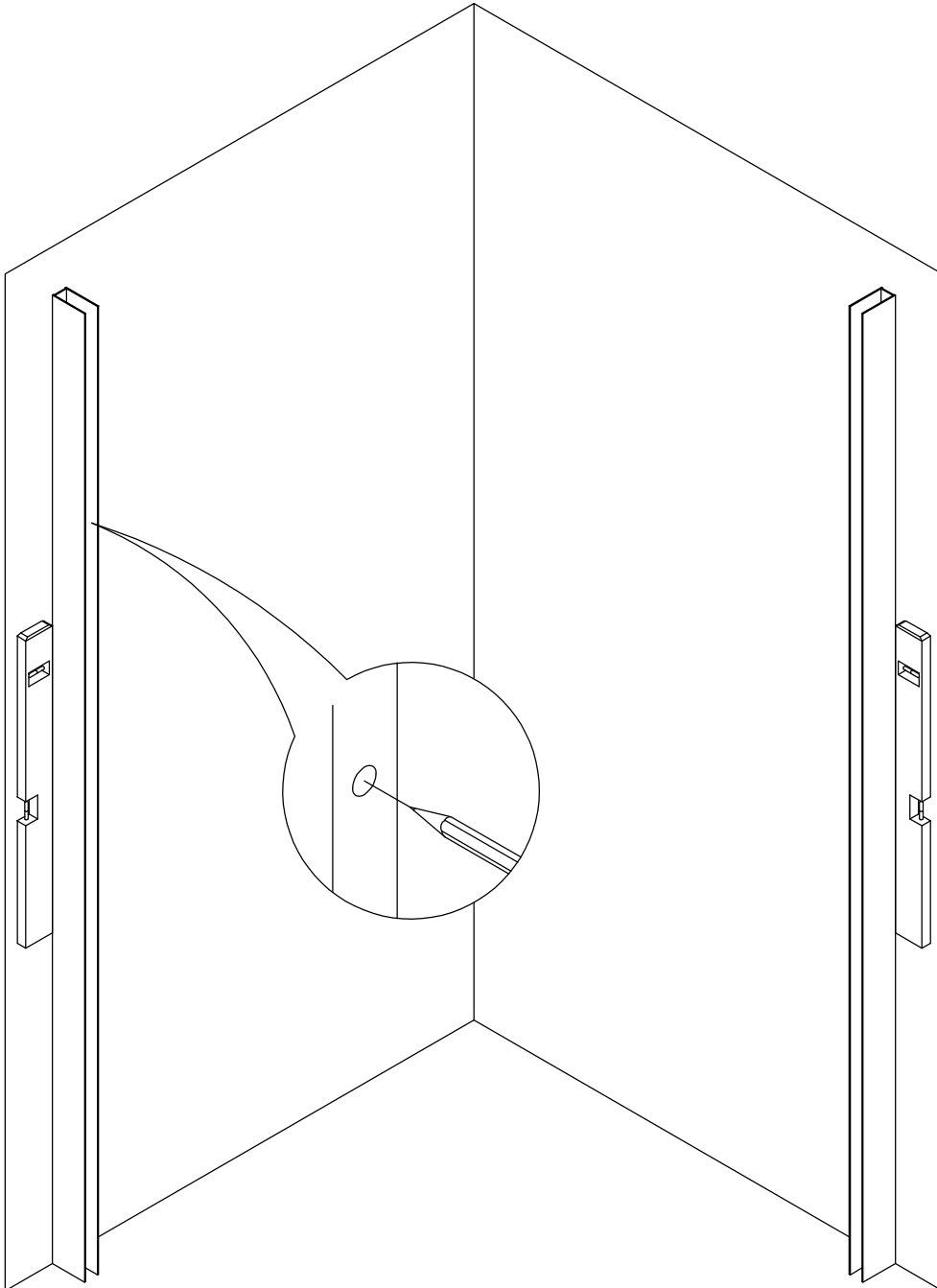
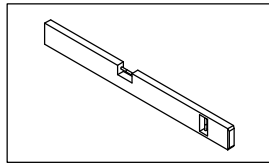
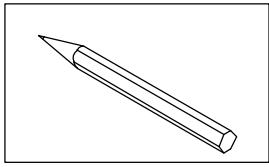
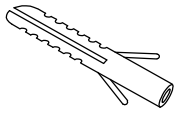
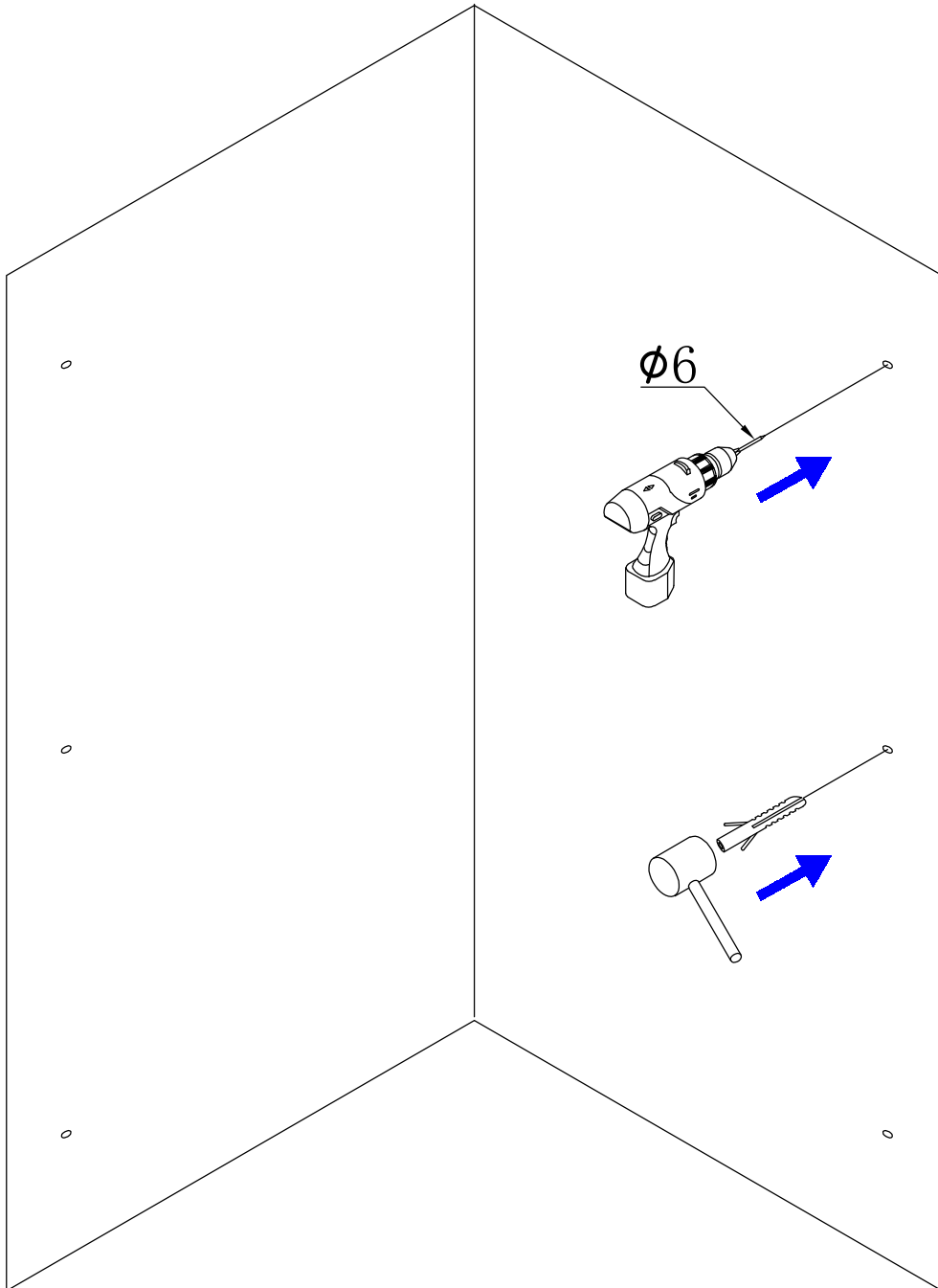
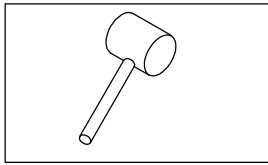
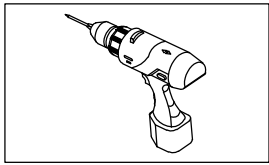


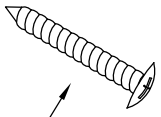
X2





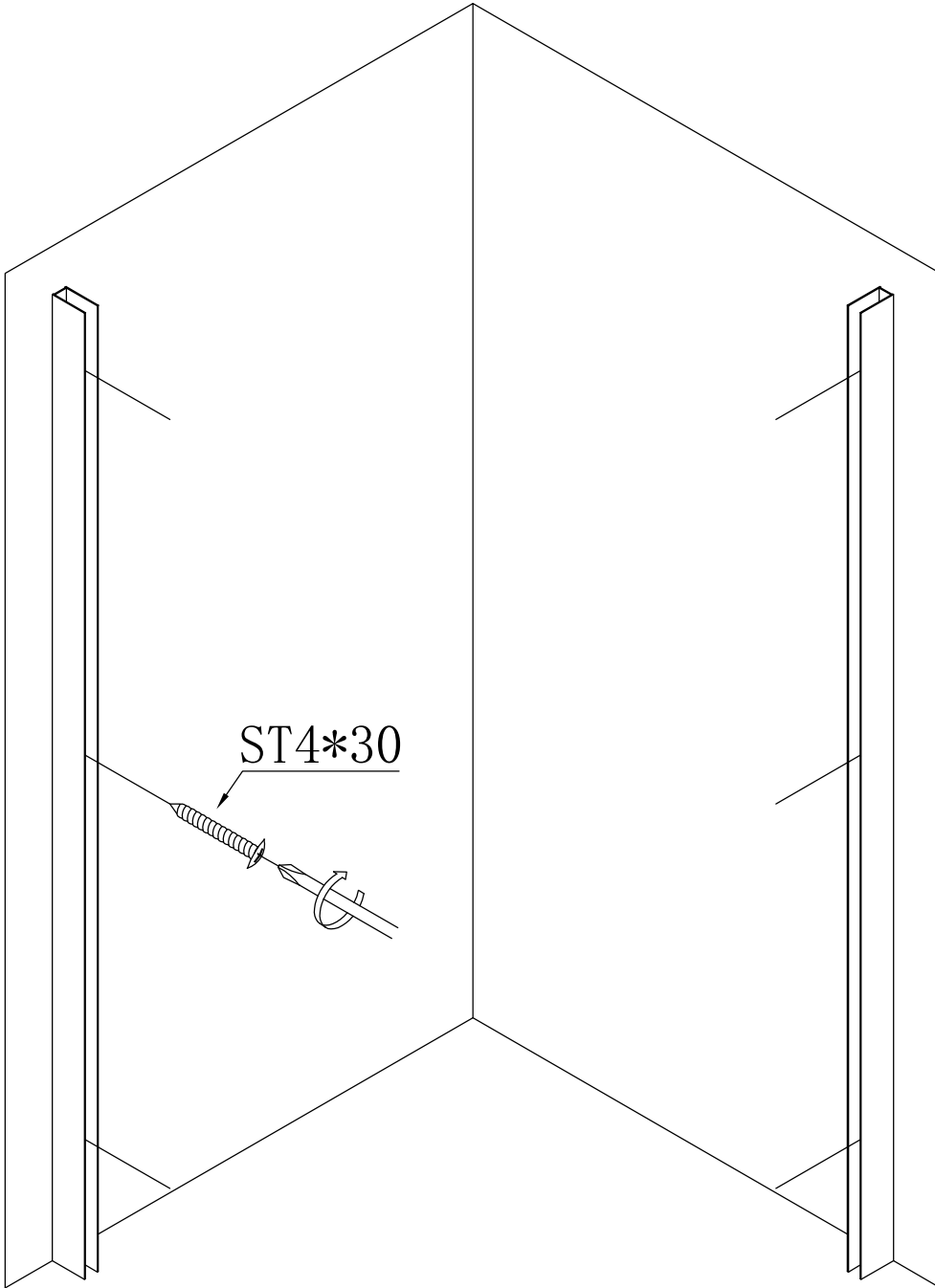
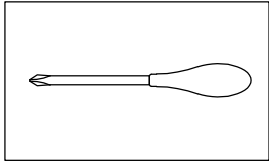
X6





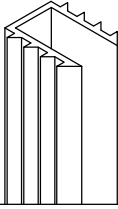
ST4*30

X6





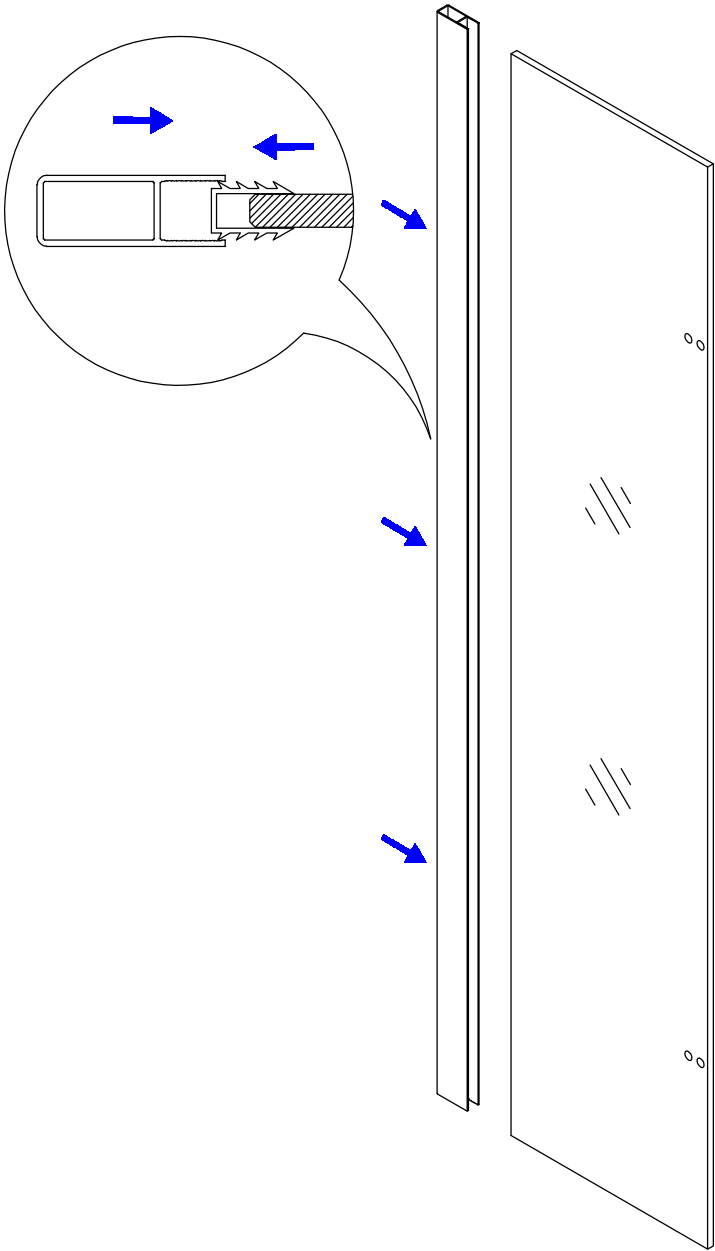
X2

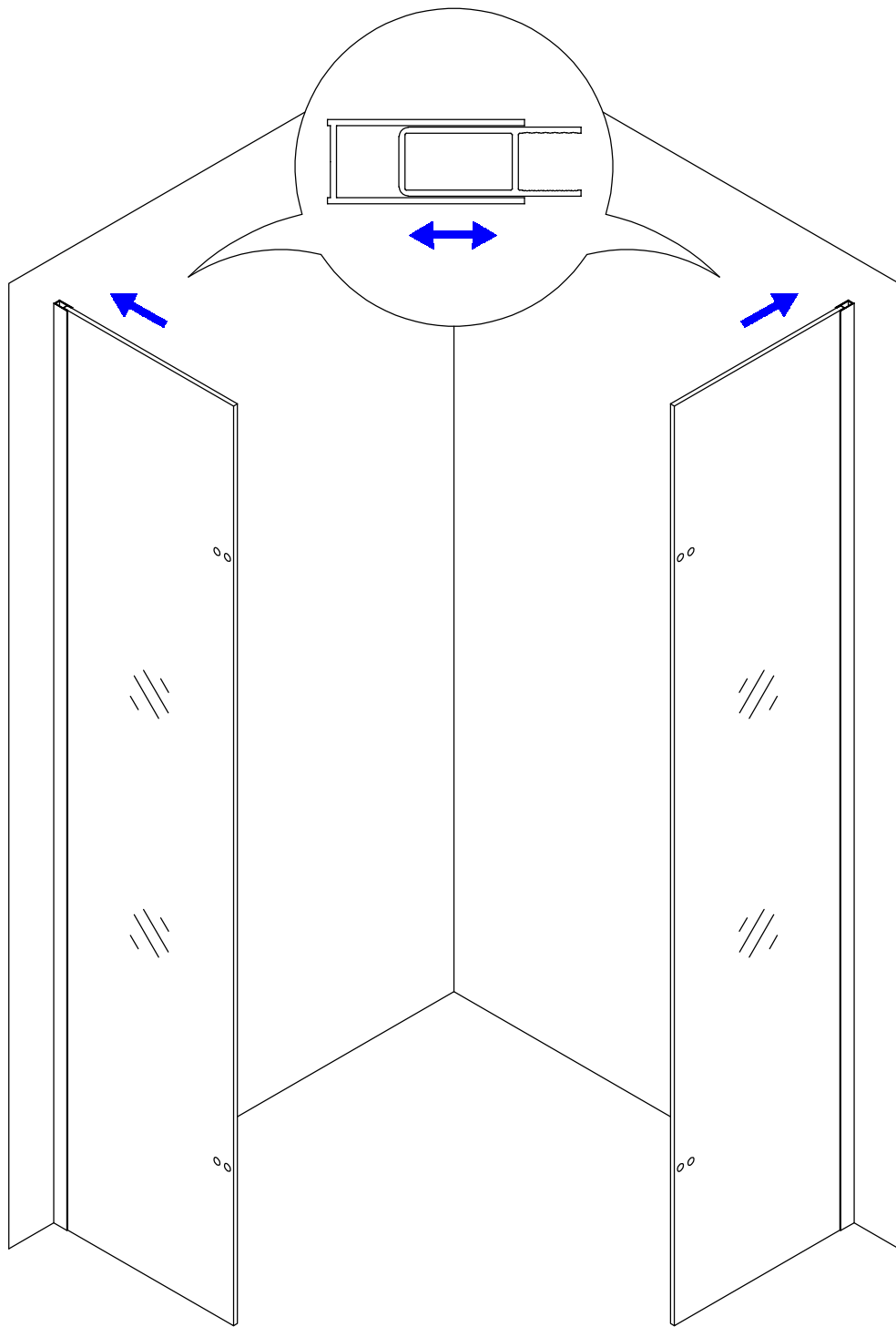


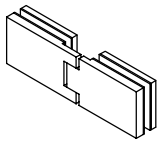
X2



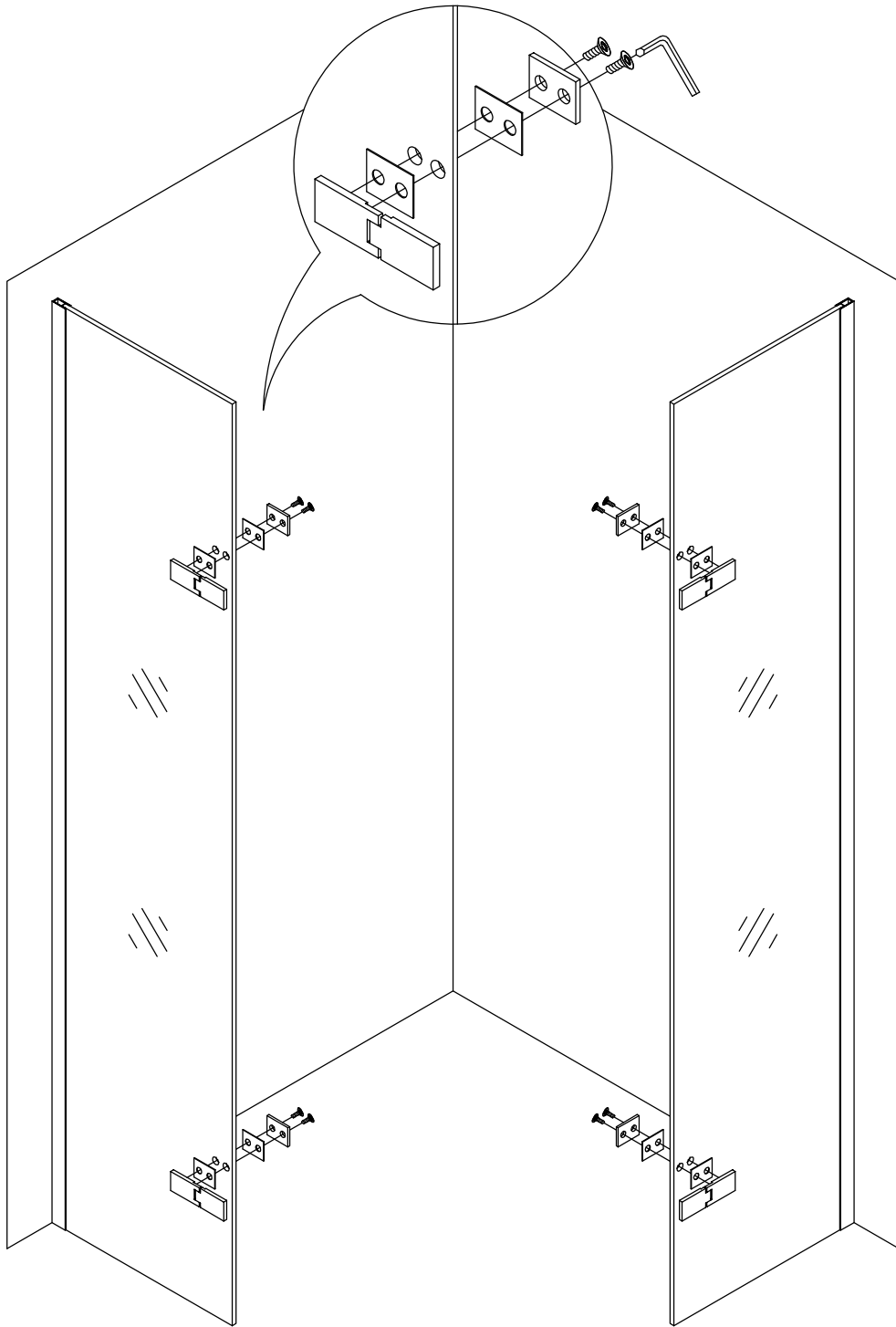
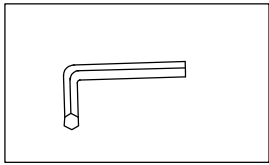
X2





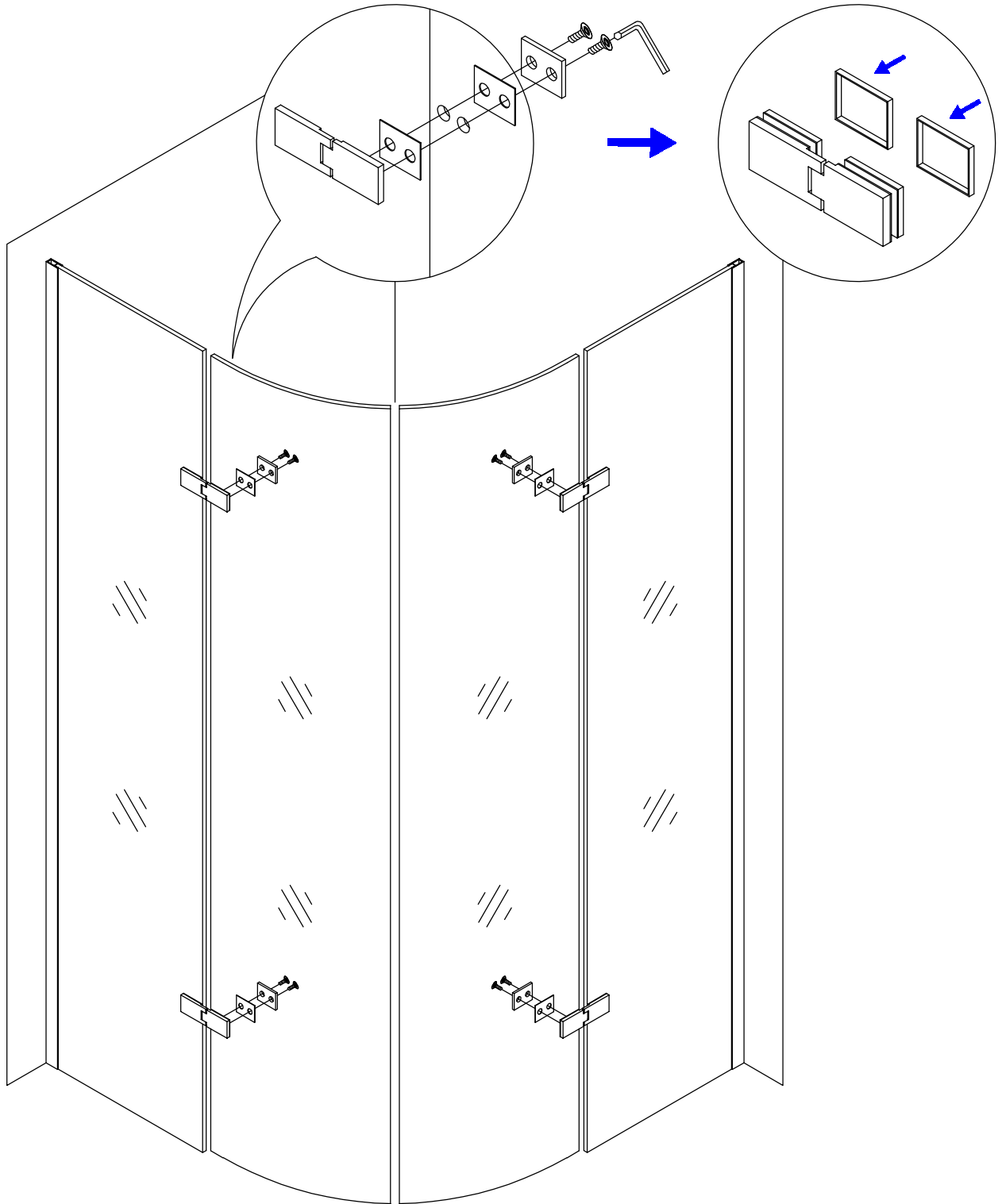


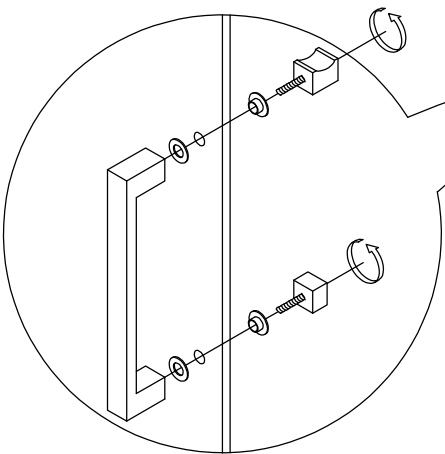
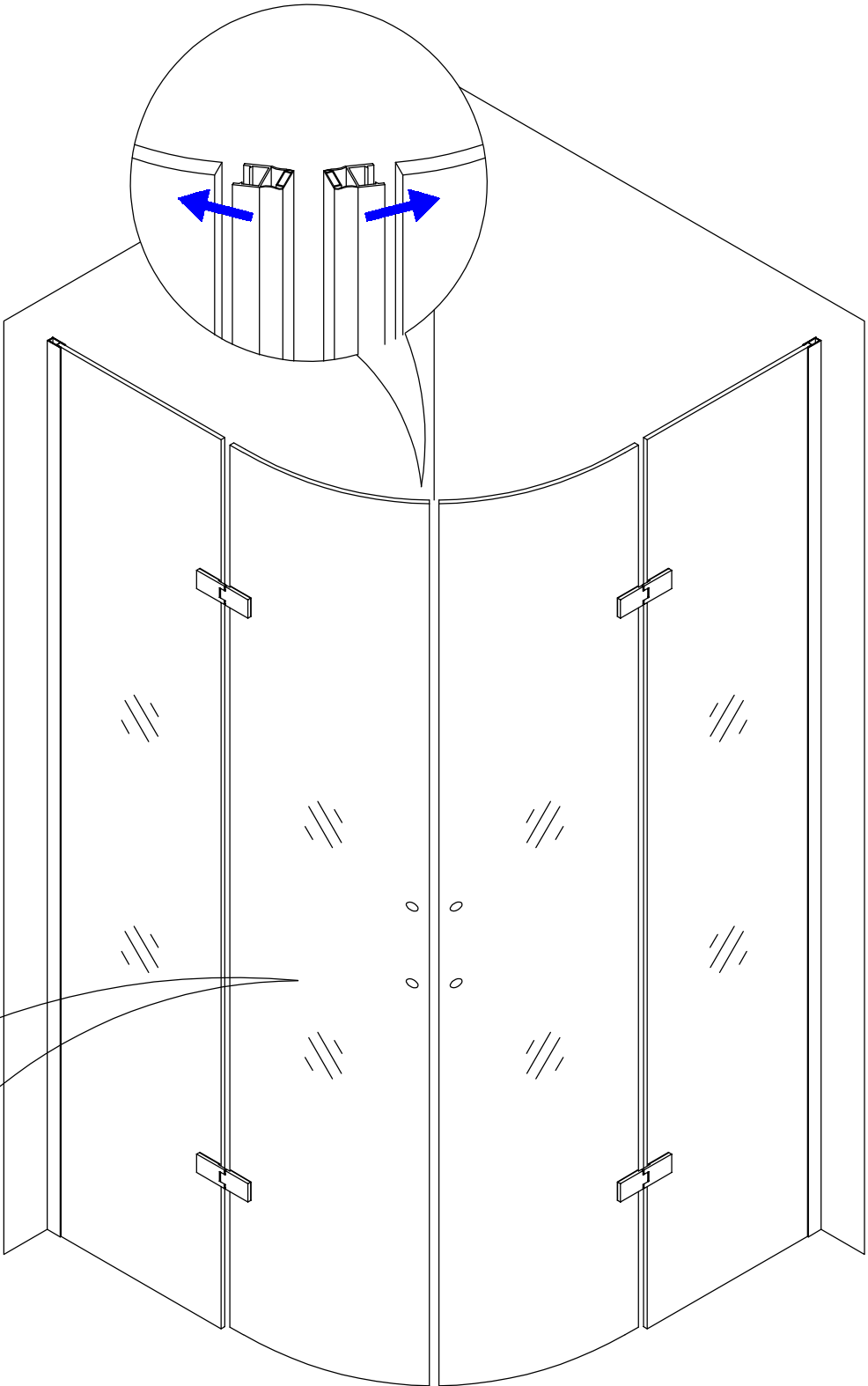
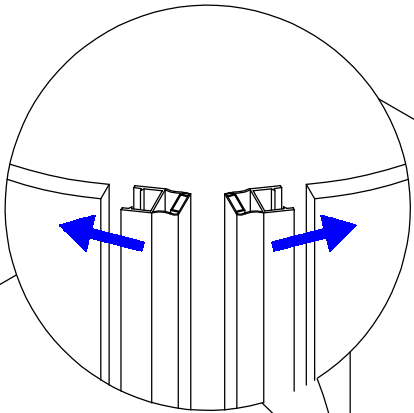
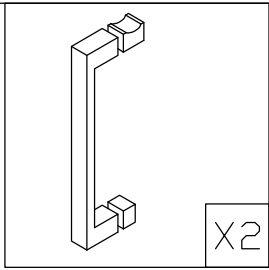
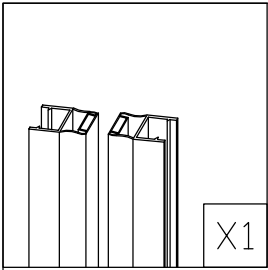
X4

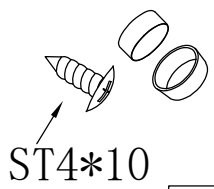




X2

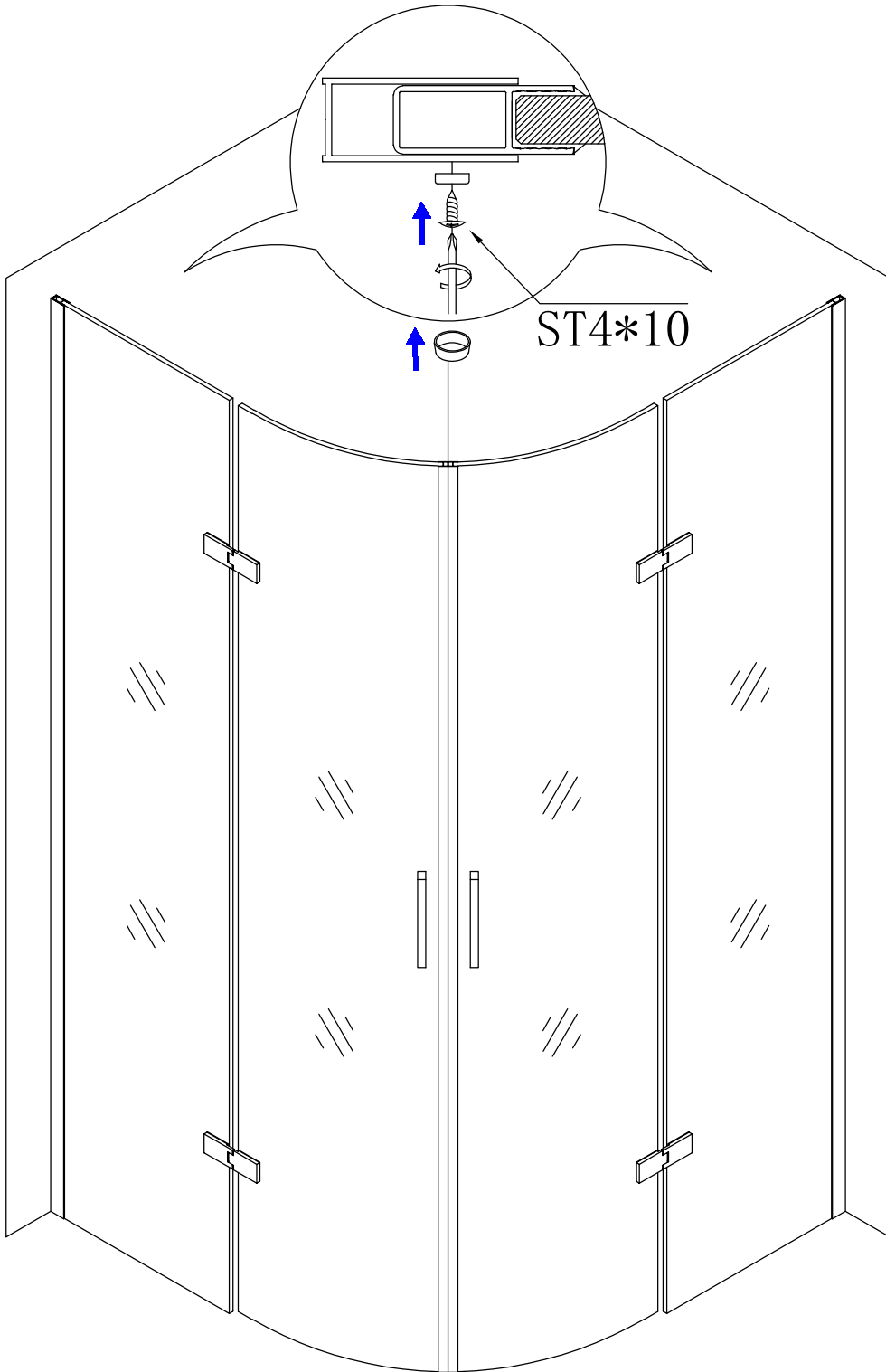
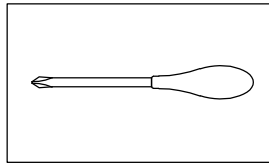
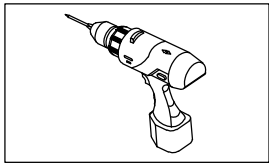


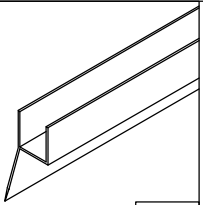




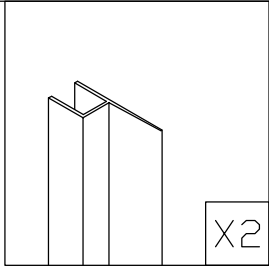
ST4*10

X6

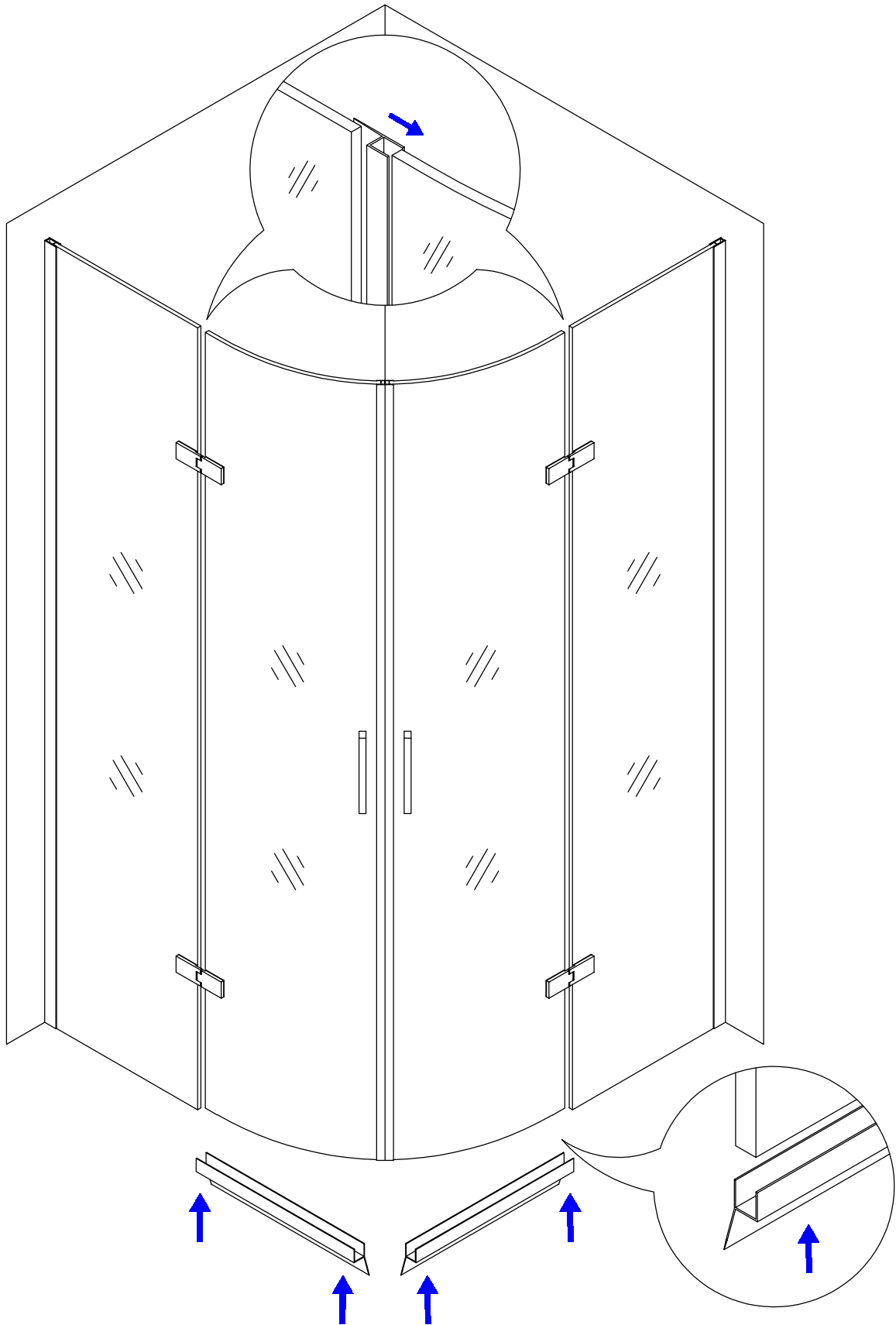


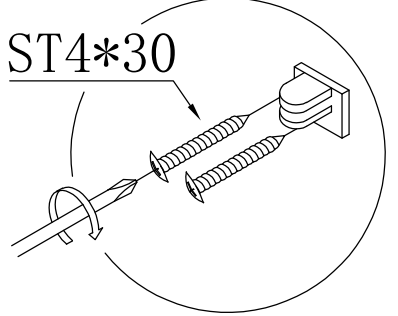
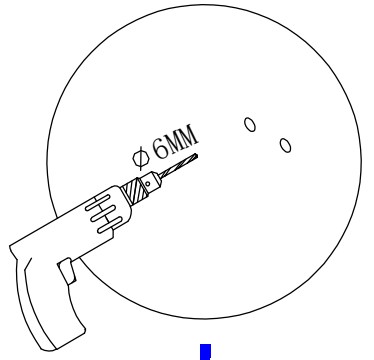
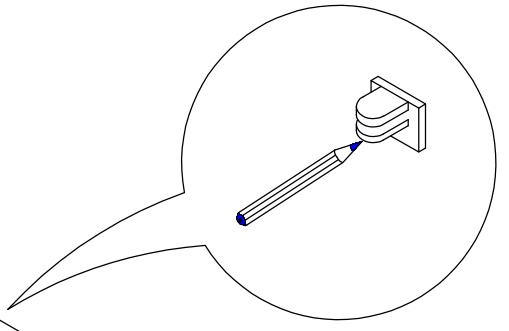
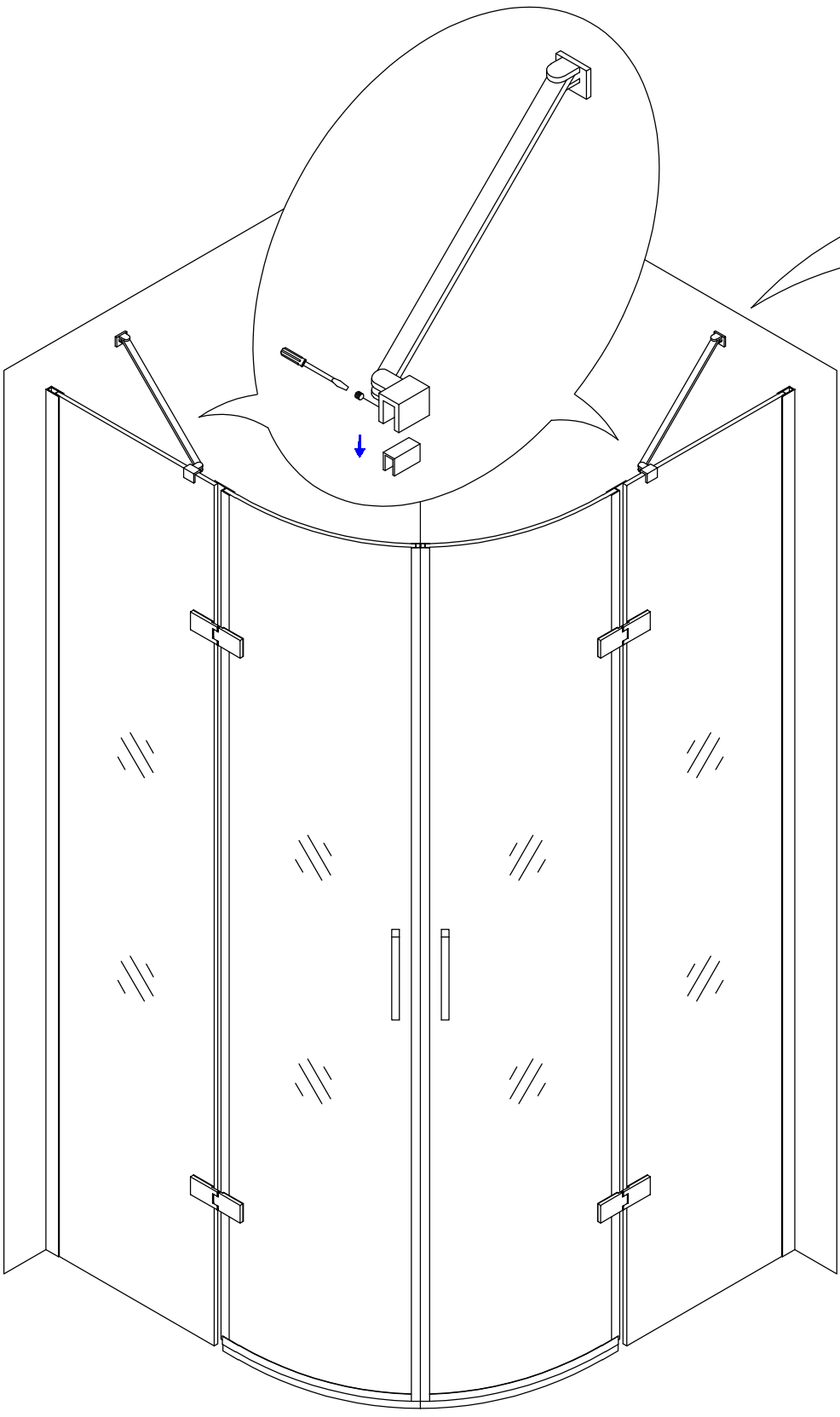
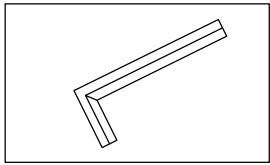
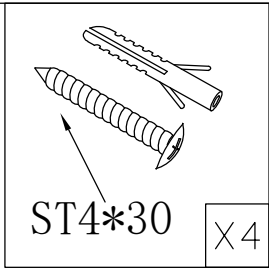
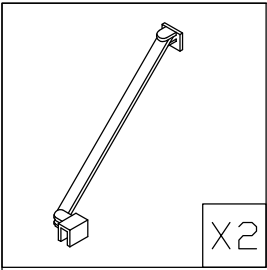


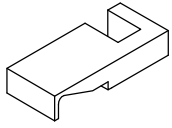
X2



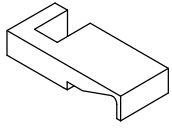
X2







X1



X1



X1

